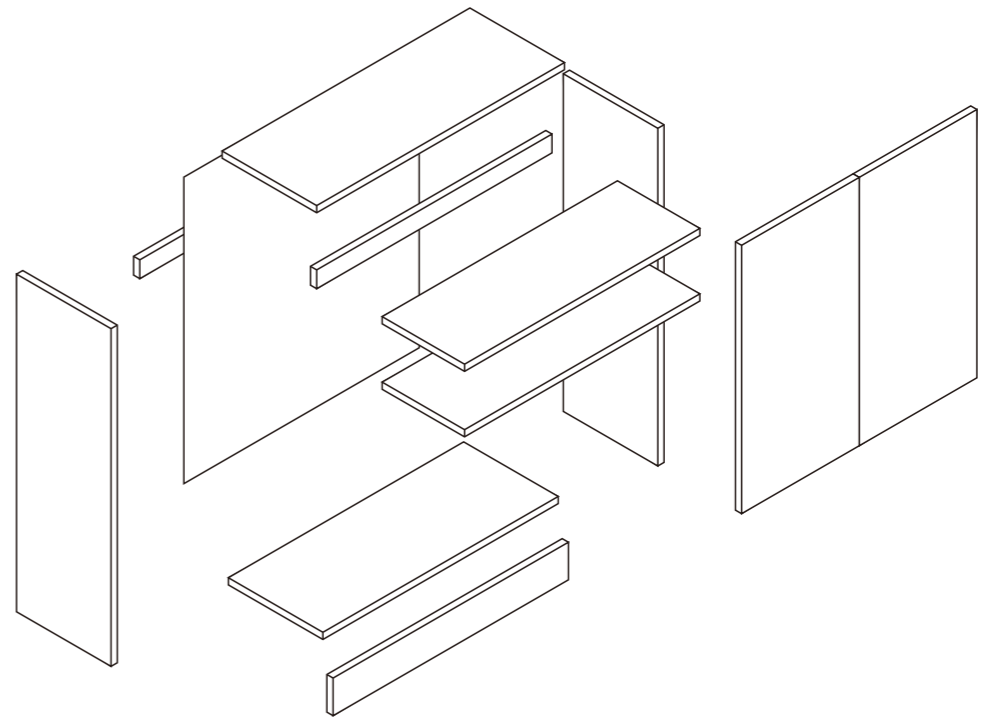
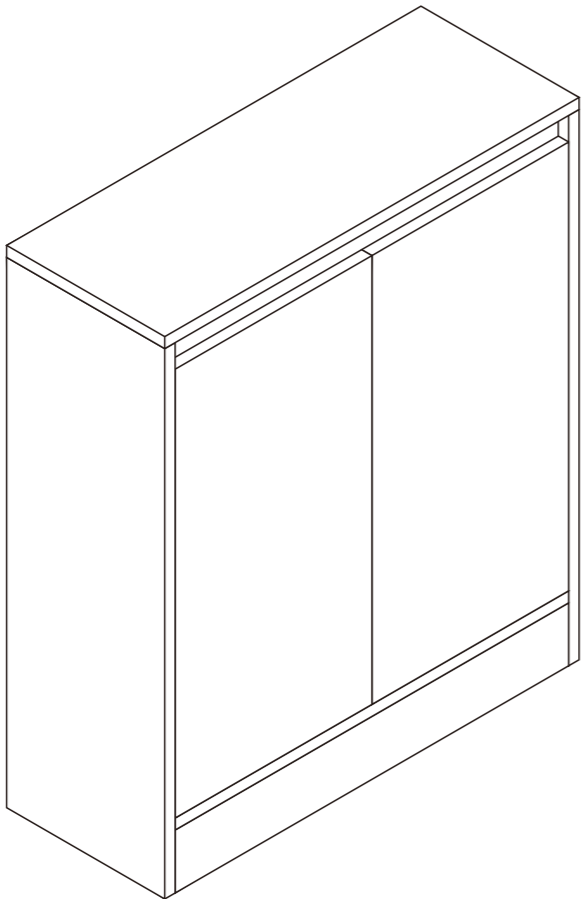
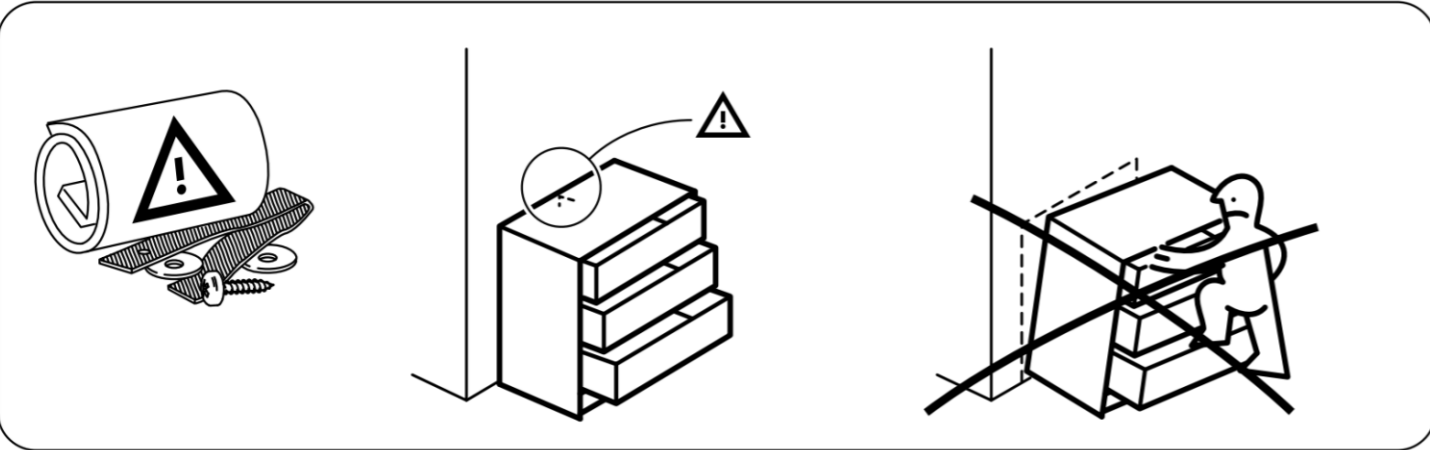


Assembly Instructions

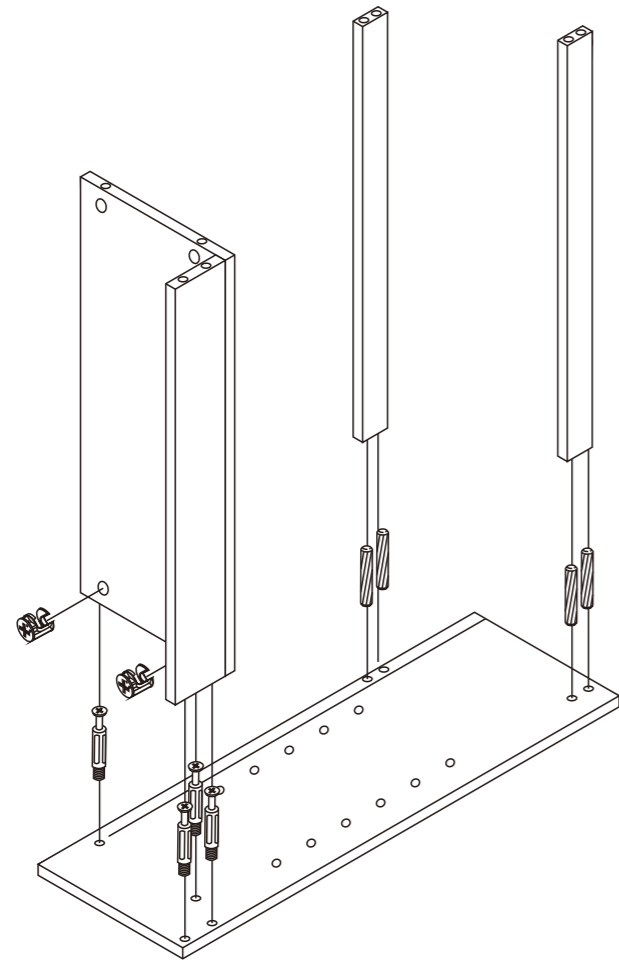


1. Hammer the base pin into the base panel.
2. Drill pilot holes into the base panel. Correct: Use a drill bit. Incorrect: Do not use a hammer.
3. Attach the side panel to the base panel using a screw.
4. Attach the side panel to the cabinet frame using a screw.

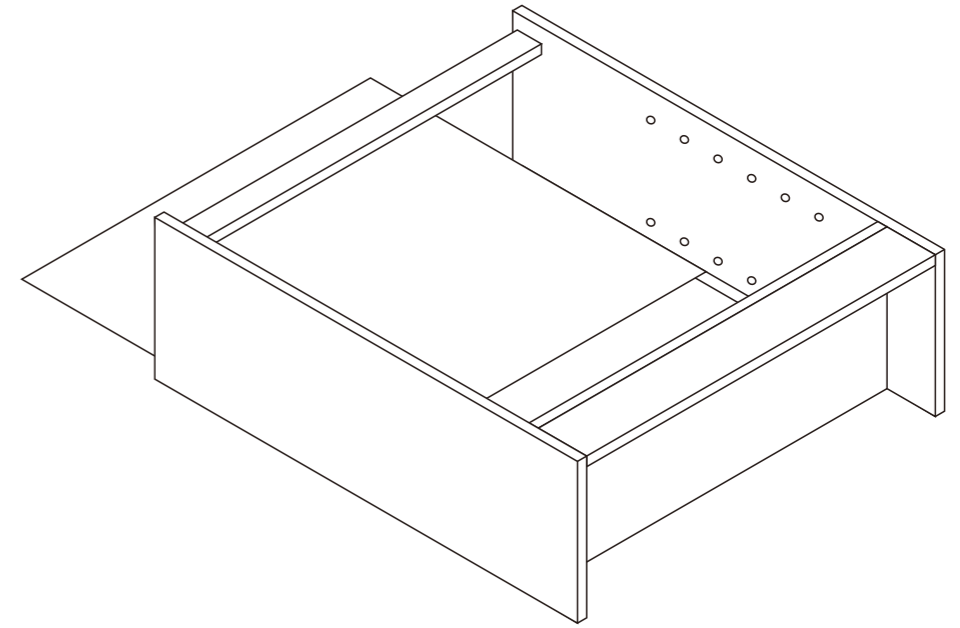
A x12	B x12	C x8	D x24
E x4	F x4	G x6	H x6
E x2	F x2	G x1	H x2



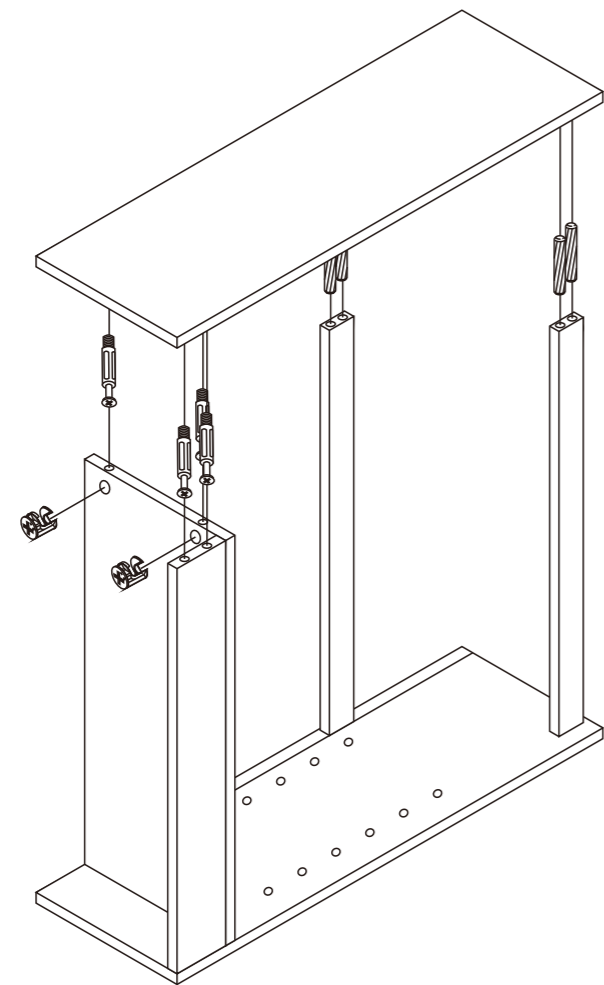
01



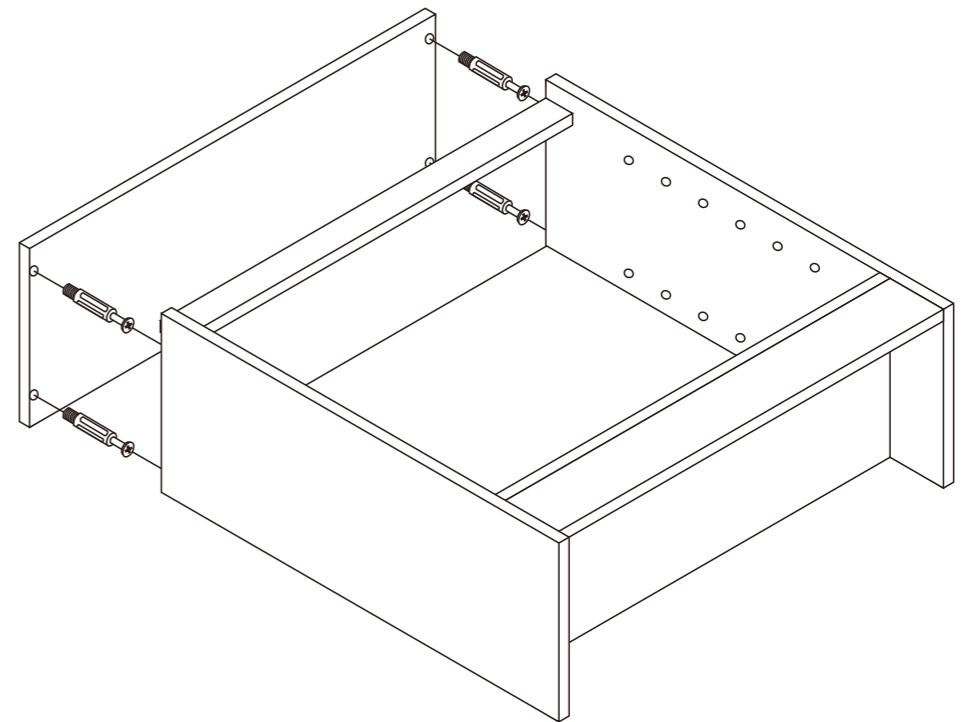
03



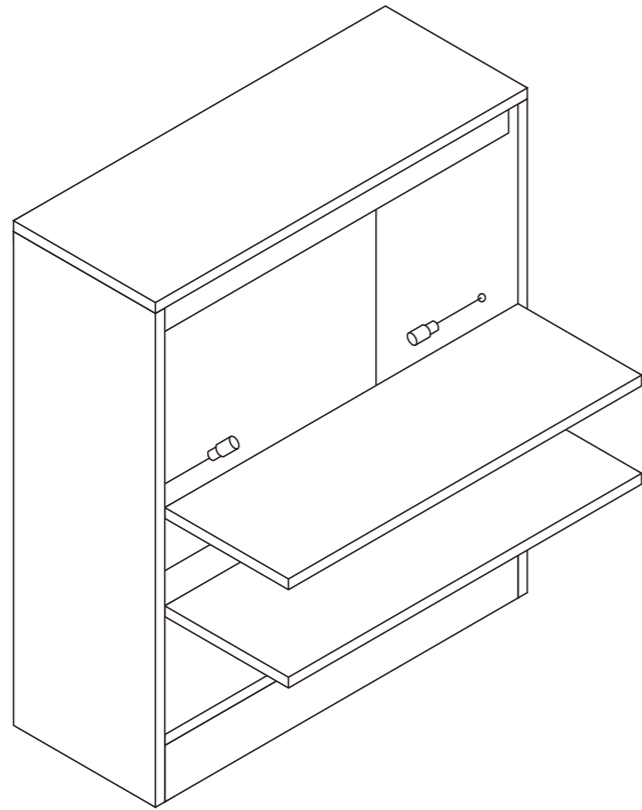
02



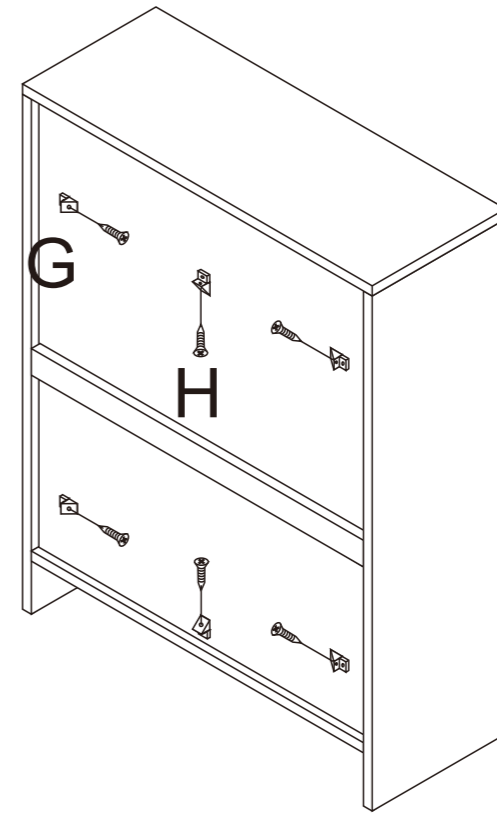
04



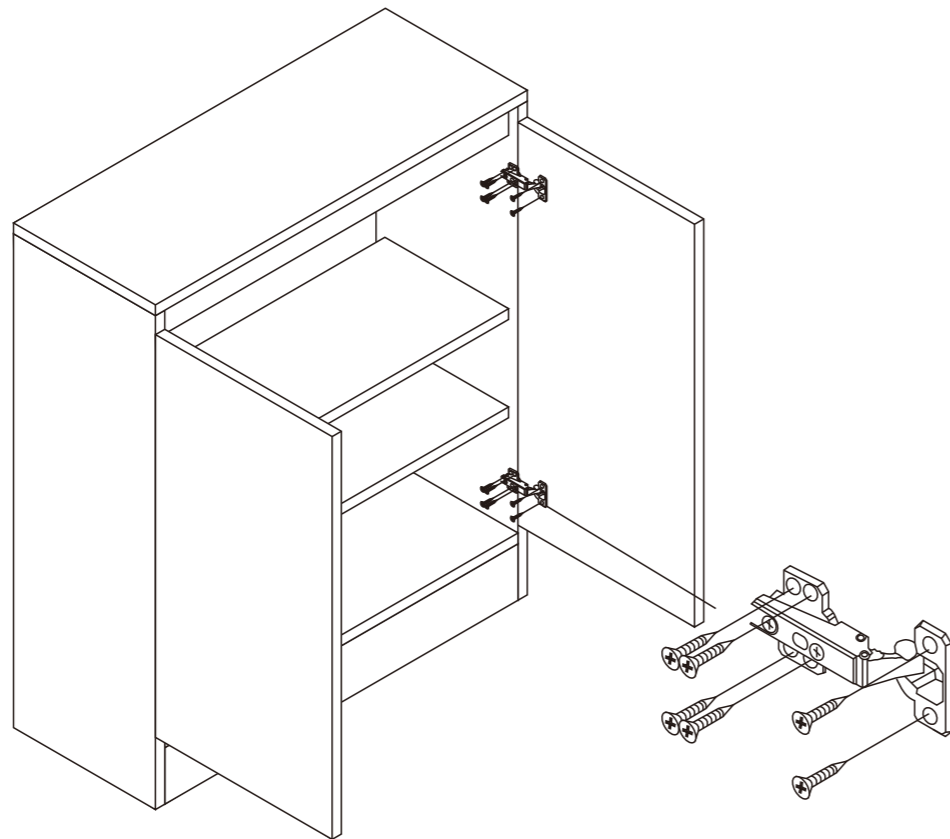
05



07



06



08

